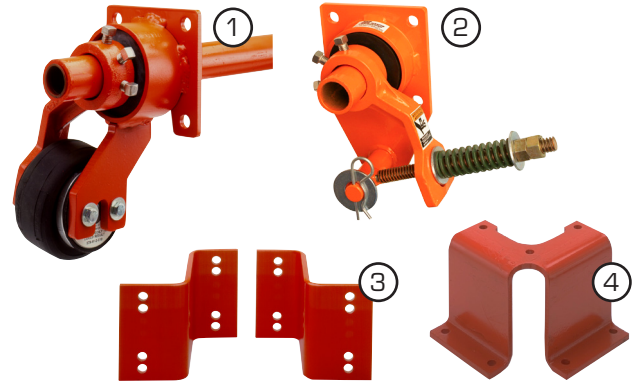


Martin® Belt Cleaner Tensioners, Mounts, & Brackets

Mounts and tensioners listed here are for Martin Engineering's "standard" belt cleaning systems and are not suitable for application on **Martin® Food Grade** or **Martin® SAF2™** Cleaners. Reversing Belt Cleaners require linear mounts and tensioners.

- (1) Air Tensioner
- (2) Spring Tensioner
- (3) Z-Bracket
- (4) Corner Flange Bracket



MOUNTING BRACKETS

Item Description	Part Number	Ship Weight – lb (kg)
"L" Bracket	33706	2 (0.9)
Flange Mount Bracket	30537	20 (9.1)
Hanger Mount Assembly	27382	10 (4.5)
Reversing Hanger Mount Assembly	33288	15 (6.8)
Heavy-Duty Hanger Mount Assembly	34233-HD	19 (8.6)

REVERSING TENSIONERS

Item Description	Belt Width	Part Number	Ship Weight – lb (kg)
Reversing Mount Spring Tensioner	18-96 (400-2400)	33599	50 (22.7)
Reversing Cleaner "Z" Bracket	N/A	31158-01	8 (3.6)
Reversing Hanger Mount Assembly	N/A	33288	15 (6.8)

PRE-CLEANER TENSIONERS

Item Description	Belt Width	Part Number	Ship Weight – lb (kg)
Shock Mount Air Paddle Tensioner	18-54 (400-1600)	32745	24 (10.9)
Dual Shock Mount Air Paddle Tensioner	60-96 (1600-2400)	32745-2R	33 (15)
Standard Duty Spring Tensioner	18-48 (400-1200)	38180	22 (10)
Dual Standard Duty Spring Tensioner	54-96 (1400-2400)	38180-2	30 (13.6)

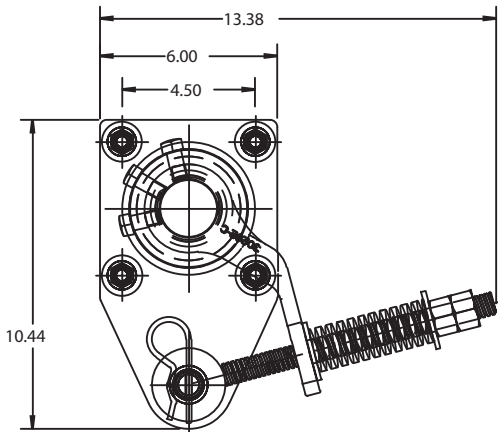
SECONDARY CLEANER TENSIONERS

Item Description	Belt Width	Part Number	Ship Weight – lb (kg)
<i>Spring Tensioners</i>			
Adjustable "L" Bracket Spring Tensioner	18-54 (400-1600)	31291-SM	35 (15.9)
DT2 Heavy Duty	18-120 (400-3200)	37707	69 (31.3)
DT2 Performance Duty Max	18-96 (400-2400)	37806	83 (37.6)
<i>Air Tensioners</i>			
Shock Mount Air Paddle Tensioner	18-54 (400-1600)	32745	24 (10.9)
Dual Shock Mount Air Paddle Tensioner	60-96 (1600-2400)	32745-2R	33 (15)
DT2 Heavy Duty	18-120 (400-3200)	37707-A	69 (31.3)
DT2 Performance Duty Max	18-96 (400-2400)	37806-A	83 (37.6)

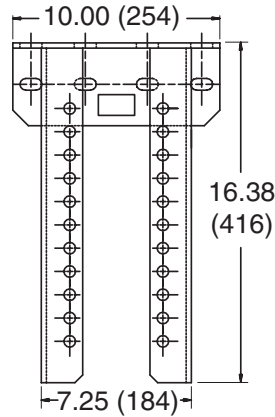
TECHNICAL DATA SHEET

DIMENSIONS – in. (mm)

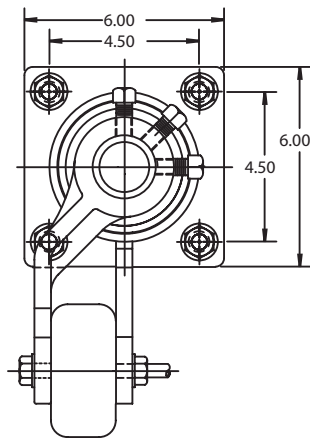
Spring Tensioner



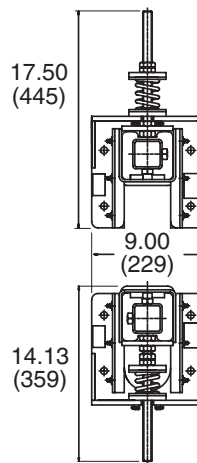
Hanger Mount



Shock Mount Air Paddle Tensioner



Reversing Mount Spring Tensioner



For information regarding:

Martin® Twist Tensioner see Form No. L3314.

Martin® Internal Spring Tensioner see Form No. L3632.

Martin® Mandrel Belt Cleaner Mount see Form No. L3343.



Martin Engineering USA

One Martin Place
Neponset, IL 61345-9766 USA
800 544 2947 or 309 852 2384
Fax 800 814 1553
www.martin-eng.com

Subject to change without prior notice.
Quality Management System Certified by DNV - ISO 9001

**COMPANY WITH
QUALITY SYSTEM
CERTIFIED BY DNV
= ISO 9001:2008 =**

Problem Solved™

Form No. L3370-16-06/12
© Martin Engineering Company 1997, 2012