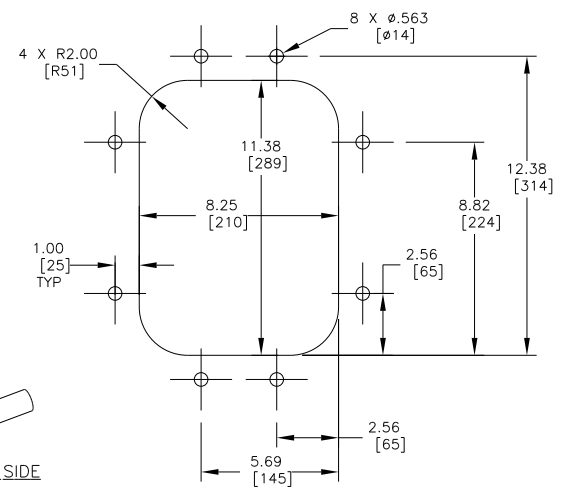
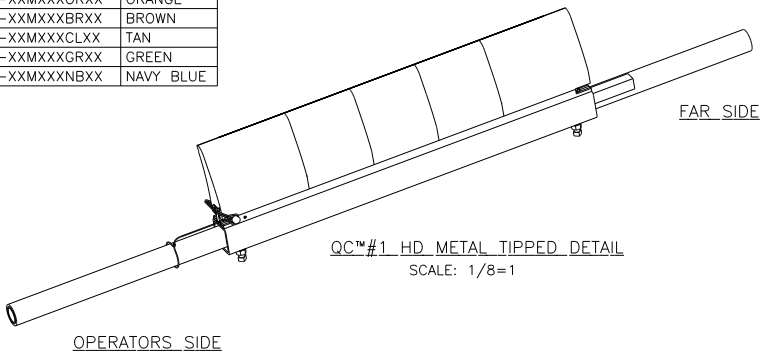
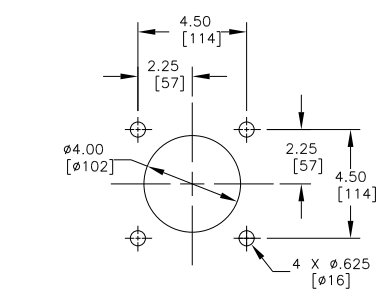


| PART NUMBER     | BELT WIDTH        | DIMENSION "A"<br>BLADE COVERAGE | DIMENSION "B"<br>FRAME LENGTH |
|-----------------|-------------------|---------------------------------|-------------------------------|
| QC1H-18MX16XXXX | 18.00 [400-500]   | 16.00 [406]                     | 44.00 [1119]                  |
| QC1H-24MX16XXXX | 24.00 [500-650]   | 16.00 [406]                     | 50.00 [1270]                  |
| QC1H-24MX22XXXX | 24.00 [500-650]   | 22.00 [559]                     | 50.00 [1270]                  |
| QC1H-30MX22XXXX | 30.00 [650-800]   | 22.00 [559]                     | 62.00 [1575]                  |
| QC1H-30MX28XXXX | 30.00 [650-800]   | 28.00 [711]                     | 62.00 [1575]                  |
| QC1H-36MX28XXXX | 36.00 [800-1000]  | 28.00 [711]                     | 68.00 [1727]                  |
| QC1H-36MX34XXXX | 36.00 [800-1000]  | 34.00 [864]                     | 68.00 [1727]                  |
| QC1H-42MX34XXXX | 42.00 [1000-1200] | 34.00 [864]                     | 74.00 [1880]                  |
| QC1H-42MX40XXXX | 42.00 [1000-1200] | 40.00 [1016]                    | 74.00 [1880]                  |
| QC1H-48MX40XXXX | 48.00 [1200-1400] | 40.00 [1016]                    | 80.00 [2032]                  |
| QC1H-48MX46XXXX | 48.00 [1200-1400] | 46.00 [1168]                    | 80.00 [2032]                  |

| ASSEMBLY PART NO. | COLOR     |
|-------------------|-----------|
| QC1H-XXMXXORXX    | ORANGE    |
| QC1H-XXMXXBRXX    | BROWN     |
| QC1H-XXMXXCLXX    | TAN       |
| QC1H-XXMXXGRXX    | GREEN     |
| QC1H-XXMXXNBXX    | NAVY BLUE |

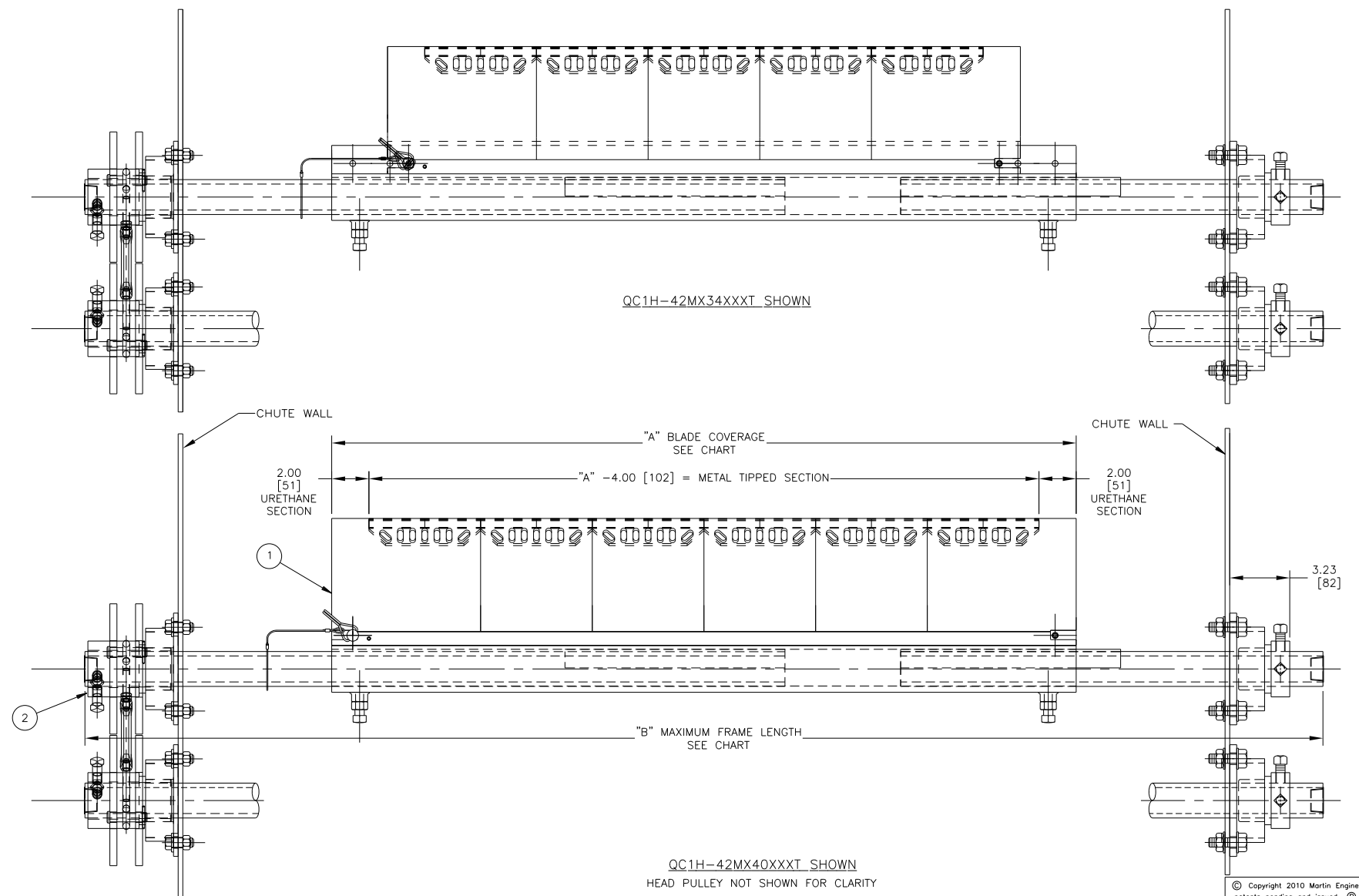
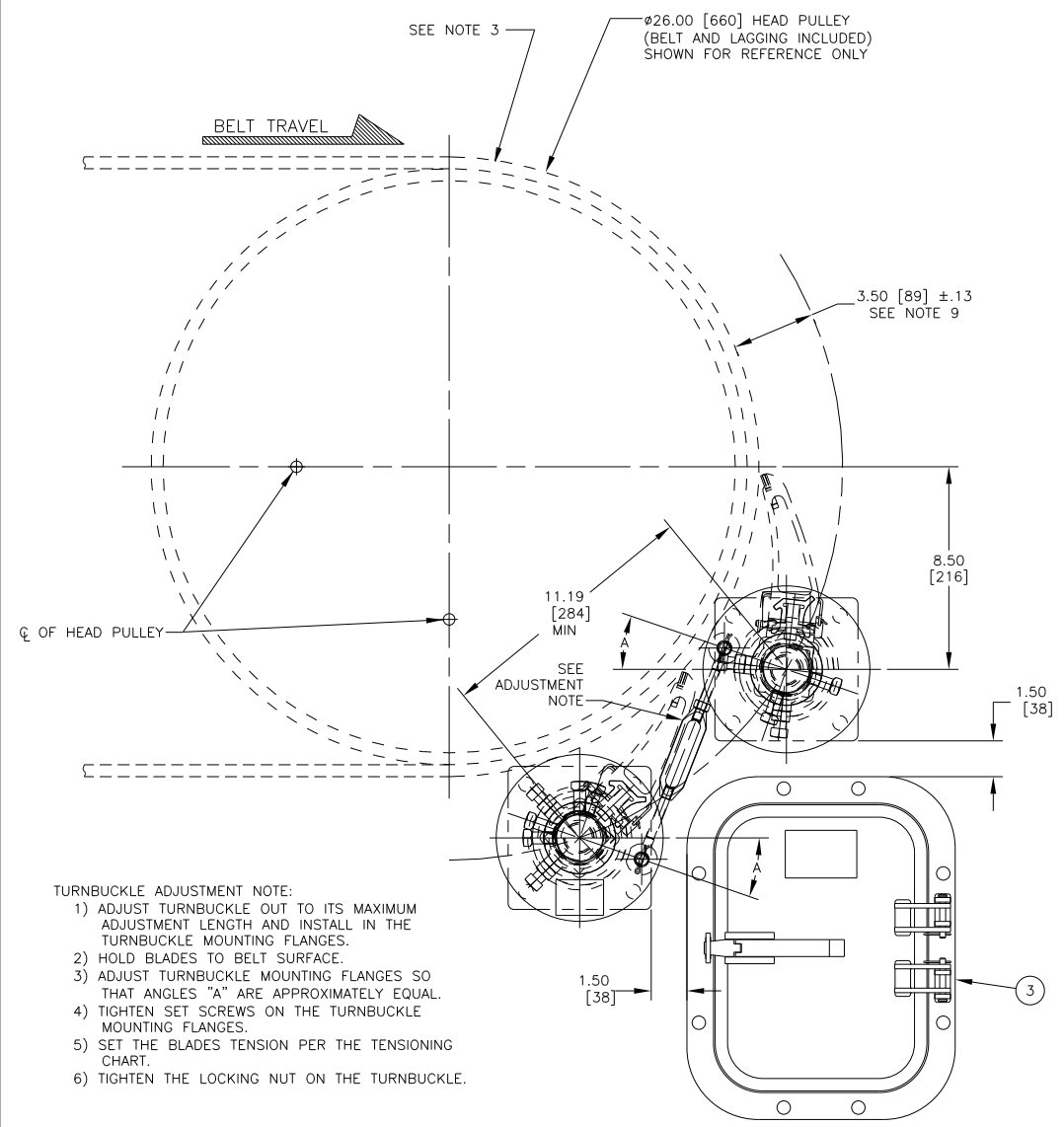
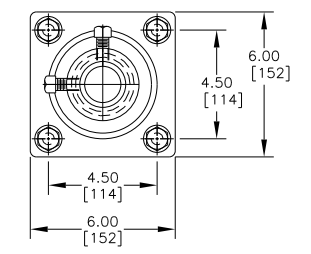


| TENSIONING CHART (AFTER BLADE CONTACTS BELT) |                                    |
|--|------------------------------------|
| BELT WIDTH                                   | NUMBER OF FULL TURNS OF TURNBUCKLE |
| 18 [400-500]                                 | 1                                  |
| 24-42 [500-1200]                             | 2                                  |
| 48 [1200-1400]                               | 3                                  |



- NOTES:
- ALL DIMENSIONS ARE GIVEN IN INCHES [MM] AND ARE FOR REFERENCE ONLY.
  - IN THE QC1H-XXMXXXXXX PART NUMBER THE FIRST TWO XX'S INDICATE THE BELT WIDTH. THE "M" INDICATES A METAL TIPPED BLADE. THE NEXT X INDICATES THE BLADE TYPE: 0 = NO BLADES, T = MILD STEEL TC TIPPED BLADE, C = CORROSION RESISTANT TC TIPPED BLADE. THE NEXT TWO XX'S INDICATE BLADE COVERAGE: 00 = NO BLADES. THE NEXT TWO XX'S INDICATE BLADE COLOR: (SEE CHART). THE NEXT X INDICATES THE MAINFRAME TYPE: P = STANDARD DUTY, S = STAINLESS STEEL MAINFRAME. THE LAST X INDICATES ACCESSORY OPTIONS: 0 = NO OPTIONS, T = STD TWIST TENSIONER, S = STD SPRING TENSIONER, A = STAINLESS TWIST TENSIONER, B = STAINLESS SPRING TENSIONER.
  - EXAMPLES:  
QC1H-36MT34BRPT = 36" BELT WIDTH, 34" BROWN MILD STL TC TIPPED BLADES STD DUTY MNFRM, WITH A TWIST TENSIONER.  
QC1H-36MT28ORPO = 36" BELT WIDTH, 28" ORANGE MILD STL TC TIPPED BLADES STD DUTY MNFRM, WITHOUT A TENSIONER.
  - THE 1-2-4 TENSIONER IS DESIGNED FOR HEAD PULLEY'S WITH A MINIMUM EFFECTIVE DIAMETER OF 24.00 [610].
  - CLEANER IS SHOWN IN RECOMMENDED WORKING POSITION.
  - WHERE EXTREME OR UNUSUAL CONDITIONS EXIST, OR SPECIAL MAINFRAME LENGTHS ARE REQUIRED CONTACT MARIN ENGINEERING.
  - 1-2-4 TENSIONER MAY BE BOLTED OR WELDED IN PLACE. MARTIN ENGINEERING RECOMMENDS BOLTING WHEN APPLICABLE FOR EASIER MAINTENANCE AND ACCESSIBILITY.
  - REFER TO OPERATOR'S MANUALS M3814 AND M3817 FOR COMPLETE INSTALLATION INSTRUCTIONS.
  - FOR BELT WIDTHS 54.00 [1400-1600] AND LARGER, MARTIN ENGINEERING RECOMMENDS USING A DUAL 1-2-4 TENSIONER (P/N 38677-2). SEE S50078-D.
  - CLEANER CAN BE LOCATED ANYWHERE ALONG THE ARC, AS LONG AS THE MAINFRAME IS OUT OF MATERIAL TRAJECTORY AND THE BLADE TIPS ARE BELOW THE HORIZONTAL CENTERLINE OF THE HEAD PULLEY.
  - THE QC#1 HD MT PRE-CLEANER BLADES ARE DESIGNED TO REMOVE HEAVY CARRYBACK ONLY. DO NOT OVERTENSION. DO NOT USE ON BELTS WITH MECHANICAL SPLICES.
  - BLADE COVERAGE IS LESS THAN BELT WIDTH, DUE TO POSSIBLE MISTRACKING OR DAMAGED EDGES OF THE BELT.

| ITEM | QTY. | DESCRIPTION                       | PART NUMBER    |
|------|------|-----------------------------------|----------------|
| 1    | 2    | MARTIN® QC#1 HD MT BLADE ASM      | QC1H-XXMXXXXXX |
| 2    | 1    | 1-2-4 SINGLE TENSIONER ASM        | 38677          |
| 3    | 1    | MARTIN® LOW PROFILE STL DOOR 9X12 | CYA-0912       |



© Copyright 2010 Martin Engineering. All rights reserved. Covered by U.S. and foreign patents pending and issued. ® and TM indicate trademarks of Martin Engineering.

**MARTIN ENGINEERING** NEPONSET ILLINOIS USA

|               |   |                             |
|---------------|---|-----------------------------|
| TITLE         | MARTIN® QC#1 HD METAL TIPPED ASM WITH 1-2-4 SINGLE TENS ASM 9 X 12 STEEL DOOR | DRAWN RND DATE 05/14/10     |
| NO.           | REVISION  | CHECKED                     |
| SALES DRAWING | PR11719   | ENG. JAP DATE 05/27/10      |
|               |   | APPROVED J.M. DATE 08/19/10 |
|               |   | SCALE 1/4=1                 |

| NO. | DESCRIPTION | ECN | DATE | BY |
|-----|-------------|-----|------|----|
|     |             |     |      |    |