

# Martin® QC™ Pre-Cleaner with Metal Tipped Blade

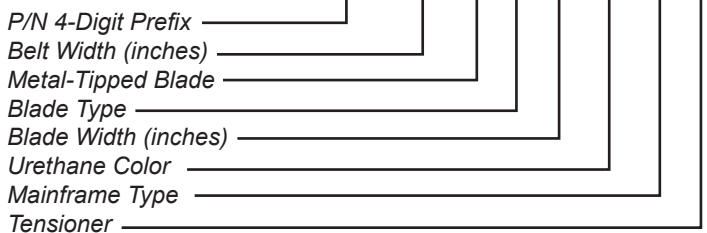


The [Martin® QC™ Pre-Cleaner with Metal Tipped Blade](#) provides maximum durability and performance across a wide range of duties and applications. This sturdy cleaner features a tungsten carbide tip blade that lasts 2 to 3 times longer than conventional urethane blades.

The Martin® QC™ Pre-Cleaner with Metal Tipped Blade are available with either a Martin® Twist™ Tensioner or a Martin® Spring Tensioner to maintain proper cleaning pressure while minimizing the need for adjustment.

**NOMENCLATURE**

QC1H - XX M X XX XX X X



**BLADE TYPE**

- 0:** No Blades
- T:** Mild Steel TC Tipped
- C:** Corrosion Resistant TC Tipped

**URETHANE COLOR**

- OR:** Orange
- BR:** Brown
- CL:** Tan
- GR:** Green
- NB:** Navy Blue

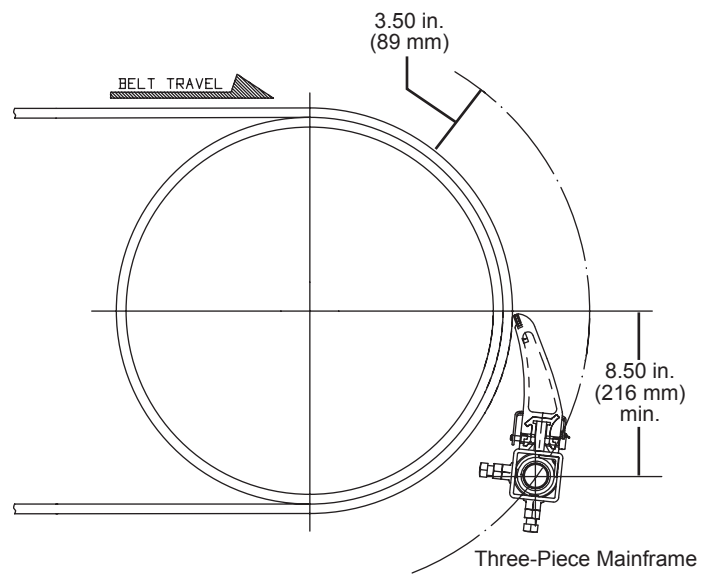
**MAINFRAME TYPE**

- P:** Painted
- S:** Stainless Steel

**TENSIONER**

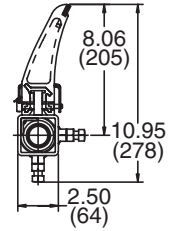
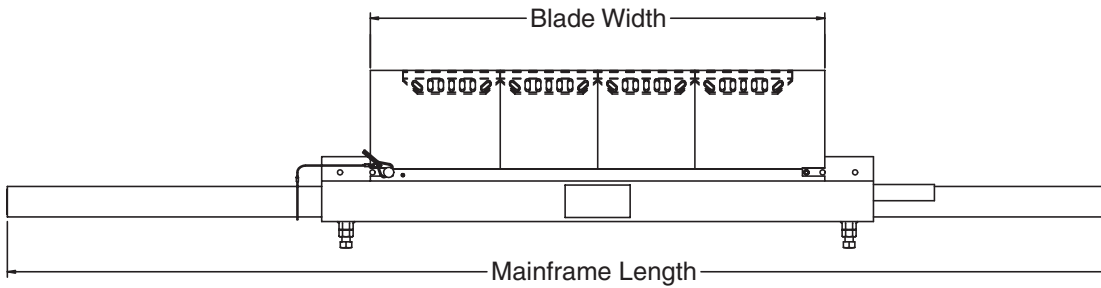
- 0:** No Tensioner
- A:** Stainless Steel Martin® Twist Tensioner
- B:** Stainless Steel Martin® Spring Tensioner
- T:** Martin® Twist Tensioner
- S:** Martin® Spring Tensioner

**MOUNTING LOCATION**



**The Martin® QC™ Pre-Cleaner with Metal Tipped Blade should NOT be used on belts with mechanical fasteners. Serious belt damage will result.**

# TECHNICAL DATA SHEET

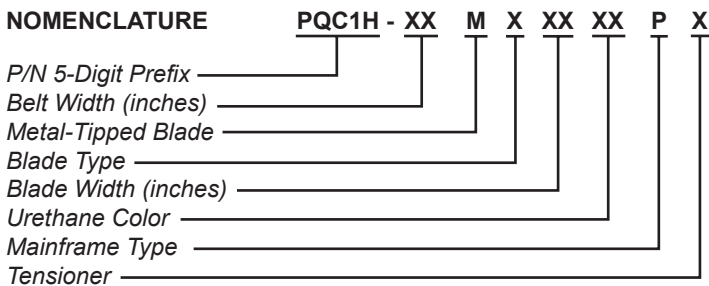


## MARTIN® QC™ HEAVY DUTY CLEANER WITH METAL TIPPED BLADE DIMENSIONS — in. (mm)

Belt Width in. (mm)	Mainframe Length in. (mm)	Blade Width Belt Width Less 8" in. (mm)	Blade Width Belt Width Less 2" in. (mm)
18 (400-500)	44 (1118)	—	16 (406)
24 (500-650)	50 (1270)	16 (406)	22 (559)
30 (650-800)	62 (1575)	22 (559)	28 (711)
36 (800-1000)	68 (1727)	28 (711)	34 (864)
42 (1000-1200)	74 (1880)	34 (864)	40 (1016)
48 (1200-1400)	80 (2032)	40 (1016)	46 (1168)
54 (1400-1600)	86 (2184)	46 (1168)	52 (1321)
60 (1600-1800)	98 (2489)	52 (1321)	58 (1473)
66 (1600-1800)	104 (2642)	58 (1473)	64 (1626)
72 (1800-2000)	110 (2794)	64 (1626)	70 (1778)
84 (2000-2200)	123 (3124)	76 (1930)	82 (2083)
90 (2000-2200)	129 (3277)	82 (2083)	88 (2235)
96 (2200-2400)	135 (3429)	88 (2235)	94 (2388)

Note: Dual Tensioners are required for belt widths 54 in. (1400 mm) and greater.

### NOMENCLATURE



### MOUNTING LOCATION

Pulley Diameter in. (mm)*	X Dimension in. (mm)
12 to 15 (300 to 375)	4.0 (102)
16 (400)	3.5 (89)

\*Includes lagging and belt.

### BLADE TYPE

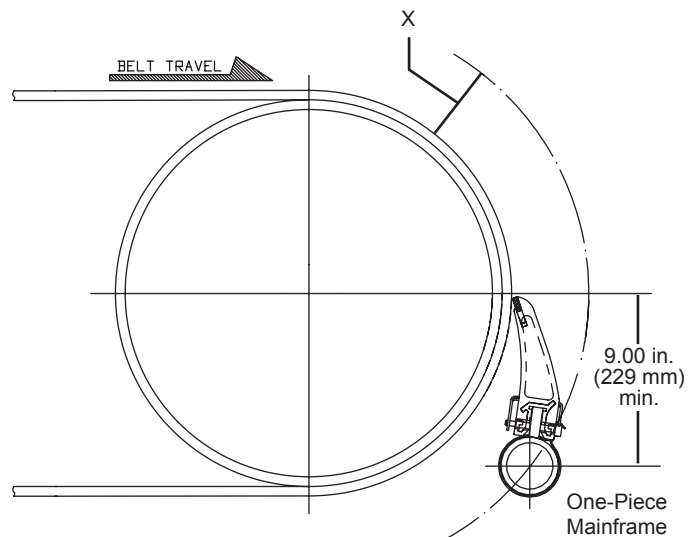
- 0:** No Blades
- T:** Mild Steel TC Tipped
- C:** Corrosion Resistant TC Tipped

### TENSIONER

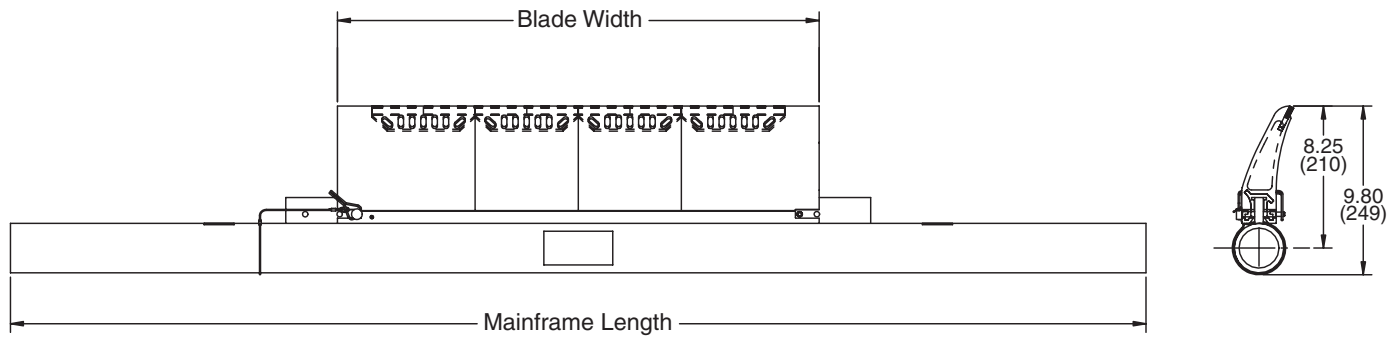
- 0:** No Tensioner
- T:** Martin® Twist Tensioner
- S:** Martin® Spring Tensioner

### URETHANE COLOR

- OR:** Orange
- BR:** Brown
- CL:** Tan
- GR:** Green
- NB:** Navy Blue



# TECHNICAL DATA SHEET



## MARTIN® QC™ PERFORMANCE DUTY CLEANER WITH METAL TIPPED BLADE DIMENSIONS -- in. (mm)

Belt Width in. (mm)	Mainframe Length in. (mm)	Blade Width Belt Width Less 8" in. (mm)	Blade Width Belt Width Less 2" in. (mm)
18 (400-500)	48 (1219)	–	16 (406)
24 (500-650)	54 (1372)	16 (406)	22 (559)
30 (650-800)	60 (1524)	22 (559)	28 (711)
36 (800-1000)	66 (1676)	28 (711)	34 (864)
42 (1000-1200)	72 (1829)	34 (864)	40 (1016)
48 (1200-1400)	78 (1981)	40 (1016)	46 (1168)
54 (1400-1600)	84 (2134)	46 (1168)	52 (1321)
60 (1600-1800)	90 (2286)	52 (1321)	58 (1473)
66 (1600-1800)	96 (2438)	58 (1473)	64 (1626)
72 (1800-2000)	102 (2591)	64 (1626)	70 (1778)
78 (1800-2000)	108 (2743)	70 (1778)	76 (1930)
84 (2000-2200)	114 (2896)	76 (1930)	82 (2083)

Note: Dual Tensioners are required for belt widths 54 in. (1400 mm) and greater.

### FREQUENTLY ASKED QUESTIONS

My Pre-Cleaner keeps flipping through.

*The mounting location may be too far away from the belt. Relocate to the proper dimension. Replace the mainframe if it is bent.*

My Pre-Cleaner is wearing more in the center of the blade.

*The blade is too wide for this application. Replace with a shorter length blade.*

### ACCESSORIES

Part	P/N
Martin® Steel Inspection Door	CYA-1218
Martin® Hanger Mount Standard Assembly	27382



**Martin Engineering USA**  
One Martin Place  
Neponset, IL 61345-9766 USA  
800 544 2947 or 309 852 2384  
Fax 800 814 1553  
www.martin-eng.com

Subject to change without prior notice.  
Quality Management System Certified by DNV - ISO 9001

**COMPANY WITH  
QUALITY SYSTEM  
CERTIFIED BY DNV  
= ISO 9001:2008 =**

**Problem Solved™**

Form No. L3823-06/12  
© Martin Engineering Company 2010, 2012