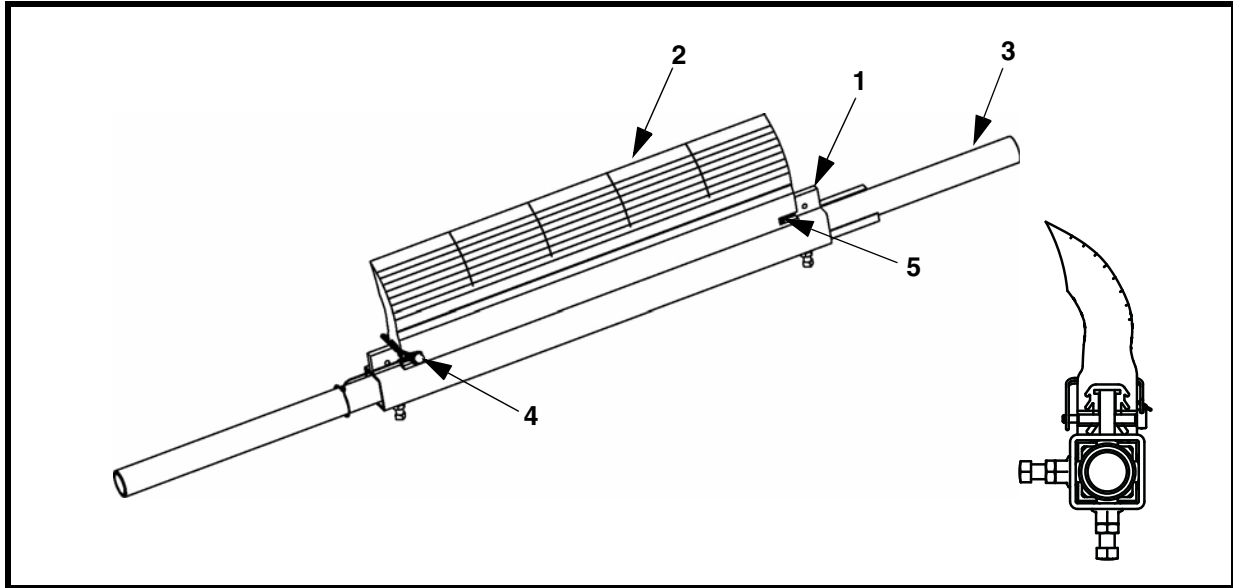


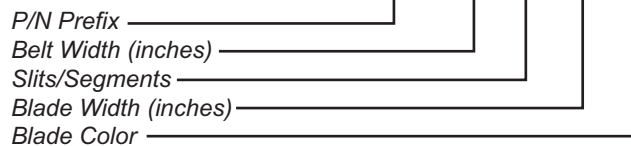
Martin® QC1™ Cleaner HD Replacement Parts List



Martin® QC1™ Cleaner HD Assembly, P/N 36898-XXXXXXXX

Item	Description	Part No.	Qty.
1	Mainframe	36897-XX	1
2	Blade	35381-XXXXXX	1
3	Pipe End Weldment	30354-XX	2
4	Lock Pin Lanyard Assembly	38168	1
5	Slotted Spring Pin	32774	1
—	Mainframe Assembly without Blades	36898-XXR	—

BLADE NOMENCLATURE 35381 - XX XX XX XX



SLITS/SEGMENTS

- 11: No slits or segments
- 10: Segments only
- 01: Slits only
- 00: Slits & Segments

BLADE COLOR

- BR: Brown
- CL: Tan
- GR: Green
- NB: Navy Blue
- Blank: Orange