

# Martin® Impact Cradles

Installed under a belt conveyor loading zone, the **Martin® Impact Cradles** absorb the force of falling material to prevent damage to the belt and structure. The impact cradles stabilize the belt line to prevent material escape.



## BENEFITS

- Steel Reinforcement for Impact Bars**  
 Each impact bar is reinforced with a bed of steel angles.
- Adjustable Supports Make Installation Easy**  
 Wings adjust to match any standard trough angle.
- Allows Compensation for Wear**  
 Eccentrics in wing supports allow outer bars five degrees of wear adjustment.
- Durable Impact Bars**  
 Rugged bars are composed of a top layer of low friction UHMW and a lower layer of energy-absorbing urethane.
- Simple Bar Replacement**  
 Impact bars are each secured with four bolts.
- Meets CEMA Design Standards**  
 The Martin® Impact Cradle conforms to CEMA Standard No. 502-1998 & 575-2000 Bulk Material Belt Conveyor Troughing and Return Idlers.
- Engineered to Fit Your Conveyor**  
 The Martin® MD Impact Cradle is available for belts from 24 to 72 inches (500 to 2000 mm) wide.
- Rugged Structure Stands Up to Abuse**  
 Sturdy cradle base of Martin® Trac-Mount™ Cradle is constructed from four I-beams. LD and MD Cradles are formed channels.
- Accommodates Most Belt Speeds**  
 Suitable for use with belts traveling up to 650 ft/min (3.3 m/s). For belts traveling faster than 650 ft/min (3.3 m/s) Martin Engineering recommends using a Martin® High Speed Impact Cradle.

## MARTIN® TRAC-MOUNT™ IMPACT CRADLE

Belt Width† in. (mm)	# of Bars	Impact Cradle Part Number**	Standard Base Cradle		
			Stringer Width in. (mm)	Mounting Centers in. (mm)	Ship Weight lb (kg)
24 (500-650)	6	30688-24XXX	36 (914)	33 (838)	577 (262)
30 (650-800)	6	30688-30XXX	42 (1066)	39 (991)	610 (277)
36 (800-1000)	7	30688-36XXX	48 (1219)	45 (1143)	645 (293)
42 (1000-1200)	9	30688-42XXX	54 (1317)	51 (1295)	840 (381)
48 (1200-1400)	10	30688-48XXX	60 (1529)	57 (1448)	930 (422)
54 (1400-1600)	10	30688-54XXX	66 (1676)	63 (1600)	969 (440)
60 (1600-1800)	13	30688-60XXX	72 (1829)	69 (1752)	1159 (526)
72 (1800-2000)	13	30688-72XXX	84 (2133)	81 (2057)	1219 (553)
84 (2000-2200)	16	30688-84XXX	96 (2438)	93 (2362)	1453 (659)
96 (2200-2400)	19	30688-96XXX	108 (2743)	105 (2667)	1684 (764)

† Metric dimensions indicate industry standards for metric belting, rather than a straight conversion.

\* For Wide Base Impact Cradles, add 6 inches (150 mm) to Stringer Width and Mounting Centers dimensions.

\*\* Replace the first XX with the conveyor's troughing angle (20°, 35°, 45°); replace the final X with S for Standard Cradle or W for Wide Base Cradle.

# TECHNICAL DATA SHEET

## MARTIN® IMPACT CRADLES

Belt Width in. (mm)	# of Bars	LD Impact Cradle 4 ft. Bar P/N*	Shipping Weight		MD Impact Cradle 4 ft. Bar P/N*	Shipping Weight		MD Impact Cradle 5 ft. Bar P/N*	Shipping Weight	
			Standard Base lb (kg)	Wide Base lb (kg)		Standard Base lb (kg)	Wide Base lb (kg)		Standard Base lb (kg)	Wide Base lb (kg)
24 (500-650)	6	36010-24X	421 (189)	450 (204)	36318-24X	606 (275)	637 (289)	36516-24X	636 (288)	667 (302)
30 (650-800)	7	36010-30X	494 (222)	515 (233)	36318-30X	690 (313)	721 (327)	36516-30X	734 (333)	765 (346)
36 (800-1000)	7	36010-36X	505 (227)	527 (239)	36318-36X	720 (327)	752 (341)	36516-36X	764 (346)	796 (361)
42 (1000-1200)	9	36010-42X	647 (291)	676 (306)	36318-42X	882 (400)	913 (414)	36516-42X	952 (431)	983 (446)
48 (1200-1400)	10	36010-48X	720 (324)	742 (336)	36318-48X	966 (438)	997 (452)	36516-48X	1050 (476)	1081 (490)
54 (1400-1600)	12	N/A			36318-54X	1151 (522)	1184 (537)	36516-54X	1262 (572)	1295 (587)
60 (1600-1800)	13				36318-60X	1237 (561)	1270 (576)	36516-60X	1361 (617)	1393 (632)
72 (1800-2000)	16				36318-72X	1508 (684)	1554 (705)	36516-72X	1672 (758)	1718 (779)

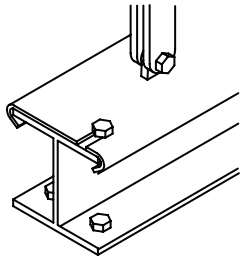
\* Replace X with S for standard stringers or W for wide base stringers  
For wide cradles, add 6 inches (152 mm) to column stringer width and mounting centers.

### NOTES

Martin® Impact Cradles are installed so that bars in the center of the cradle are set slightly below—1/2 in. (13 mm)— the unloaded belt's line of travel. This allows the belt to absorb impact while avoiding continuous friction and wear if the belt is running empty. The wing bars on the sides of the cradle are installed in line with the idlers to allow effective sealing of the transfer point.

When installing one or more Martin® Impact Cradles, it is necessary to verify there is adequate power in the conveyor drive to compensate for the additional frictional drag. Consult Martin Engineering for additional information.

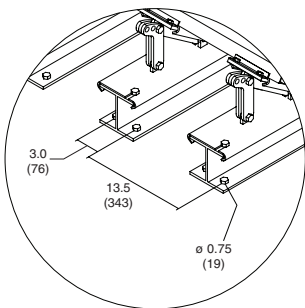
Standard base stringer width is the belt width plus 12 in. (305 mm). Mounting centers width is the belt width plus 9 in. (229 mm). Wide base stringer width is the belt width plus 18 in. (457 mm). Mounting centers width is belt width plus 15 in. (381 mm).



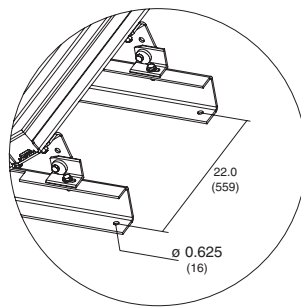
*Martin® Trac-Mount™ Design incorporates impact bars mounted on sliding sleeves to reduce maintenance. Bars slide to one side or the other.*

### DIMENSIONS – in. (mm)

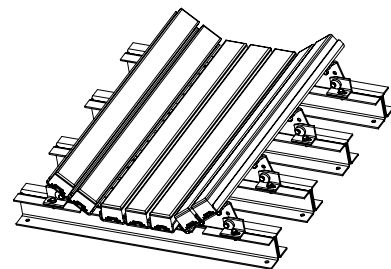
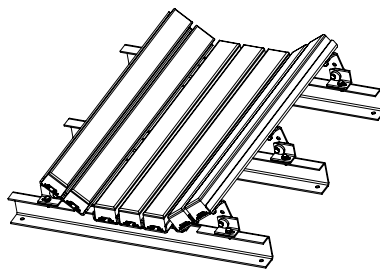
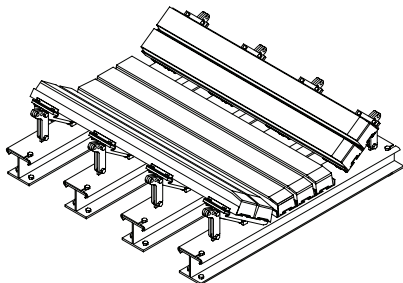
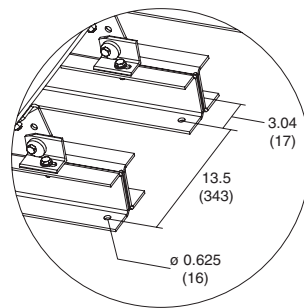
Trac-Mount™ Impact Cradle



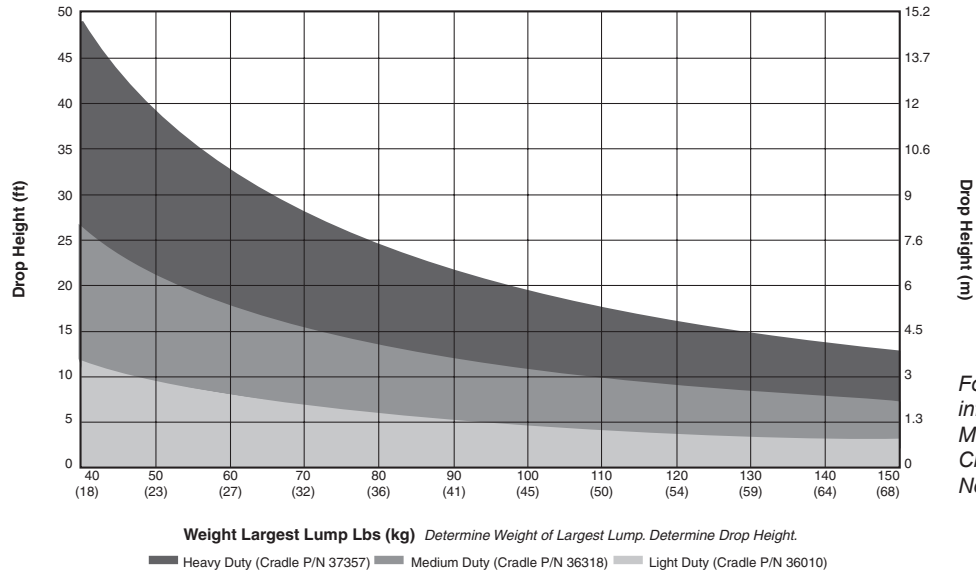
LD Cradle



MD Cradle



## SELECTION GUIDE



For additional information on the Martin® HD Impact Cradle see Form No. L3631.

Belt Width	Non-Impact*	LD	MD	Trac-Mount™	HD*
24" S-Base	36700-24S	36010-24S	36318-24S	30688-24XXS	N/A
24" W-Base	36700-24W	36010-24W	36318-24W	30688-24XXW	
30" S-Base	36700-30S	36010-30S	36318-30S	30688-30XXS	
30" W-Base	36700-30W	36010-30W	36318-30W	30688-30XXW	
36" S-Base	36700-36S	36010-36S	36318-36S	30688-36XXS	37357-36XXEXS
36" W-Base	36700-36W	36010-36W	36318-36W	30688-36XXW	37357-36XXEXS
42" S-Base	36700-42S	36010-42S	36318-42S	30688-42XXS	37357-42XXEXS
42" W-Base	36700-42W	36010-42W	36318-42W	30688-42XXW	37357-42XXEXS
48" S-Base	36700-48S	36010-48S	36318-48S	30688-48XXS	37357-48XXEXS
48" W-Base	36700-48W	36010-48W	36318-48W	30688-48XXW	37357-48XXEXS
54" S-Base	36700-54S	36010-54S	36318-54S	30688-54XXS	37357-54XXEXS
54" W-Base	36700-54W	36010-54W	36318-54W	30688-54XXW	37357-54XXEXS
60" S-Base	36700-60S	36010-60S	36318-60S	30688-60XXS	37357-60XXEXS
60" W-Base	36700-60W	36010-60W	36318-60W	30688-60XXW	37357-60XXEXS
72" S-Base	36700-72S	36010-72S	36318-72S	30688-72XXS	37357-72XXEXS
72" W-Base	36700-72W	36010-72W	36318-72W	30688-72XXW	37357-72XXEXS
*For additional information on the Martin® HD Impact Cradle see Form No. L3631. For the Martin® Slider Cradle see Form No. L3298-03. Or contact your Martin Engineering representative at 1-800-544-2947.				Replace XX with trough angle.	Replace XX with trough angle.
					Replace X in EX with E6 or E7 class idlers.

	CEMA Idler Classification					
	C5	C6	D5	D6	E6	E7
Martin® Impact Cradle LD	X	X				
Martin® Impact Cradle MD	X	X	X	X		
Martin® Track-Mount Impact Cradle	X	X	X	X		
Martin® Combination Cradle	X	X	X	X		
Martin® Impact Cradle HD					X	X
Martin® High Speed Impact Cradle	X	X	X	X	X	X

## OPTIONS

- LD and MD Impact Cradles ship unassembled. Assembly available by adding an A to the end of the part number.
- Standard Impact Cradle length for Trac-Mount™ Cradles is 4 ft. (1220 mm).
- Contact Martin Engineering for specifications on non-standard cradle length.
- All belt support cradles available in picking idler configuration.

# TECHNICAL DATA SHEET

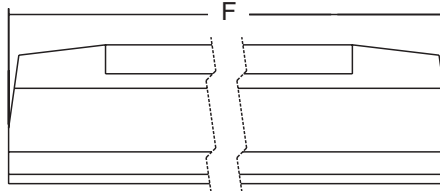
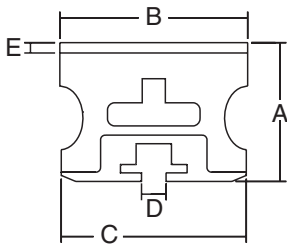
## MARTIN® IMPACT BAR

Characteristics	
Coefficient of Friction	0.5
Service Temperature Range	-20° to 180°F (-29° to 82°C)
Bar Construction	
Bearing Layer	UHMW Polyethylene
Absorption Layer	83A-Durometer Urethane
T-Slot	Aluminum
Fasteners	1/2-inch diameter Bolts

Martin® Impact Bars absorb the punishment of loading zone impact, preventing damage to equipment and stabilizing the belt line to control fugitive material. Each bar is anchored with four bolts for easy replacement.

## IMPACT BAR DIMENSIONS - in. (mm)

	A	B	C	D	E	F	P/N
Urethane Bar	3.0 (75)	4.06 (103)	4.0 (102)	0.53 (13)	0.5 (12)	24 (610)	39102-2
						48 (1220)	39102-4
						60 (1524)	39102-5



## UHMW BAR

Sample Chemical Resistance Ratings At 70°F (21°C)	
Anhydrous Ammonia	Good
Benzene	Poor
Borax	Good
Caustic Soda	Good
Chlorine (Wet, 10%)	Fair
Diesel Fuel	Good
Ethyl Alcohol (Ethanol)	Good
Ethylene Glycol	Good
Gasoline (Unleaded)	Good
Methylene Chloride	Fair
Mineral Oil	Good
Nitric Acid (20%)	Good
Nitric Acid (50%)	Poor
Sodium Chloride	Good
Sulfur	Good
Sulfuric Acid (50%)	Good

## ORDER INFORMATION

Impact Bar Hardware	P/N
1/2" Bolt	13835
Flat Washer	17328
1/2" Nut	11771
1/2" Compression Washer	11750

## CHEMICAL EXPOSURE

Martin® Impact Bars are suitable for use with most industrial chemicals.



**Martin Engineering USA**  
 One Martin Place  
 Neponset, IL 61345-9766 USA  
 800 544 2947 or 309 852 2384  
 Fax 800 814 1553  
 www.martin-eng.com

**COMPANY WITH  
 QUALITY SYSTEM  
 CERTIFIED BY DNV  
 = ISO 9001:2008 =**

**Problem Solved™ GUARANTEED!**

Form No. L3630-02/20  
 © Martin Engineering Company 2002, 2020