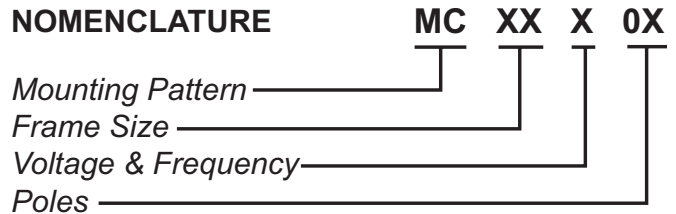


Martin® MC Series Electric Vibrators



BENEFITS

- Only USA Manufacturer of Continuous duty, High-output Industrial Vibrators Guaranteed for 3 Years
- C4 Clearance Cylindrical Roller Bearings
- Dust-tight and Water-tight Enclosure
- Fast Delivery of Any Electrical Rating
- Fully Interchangeable with Other Major Manufacturers
- Worldwide Tech Support and Service

FRAME SIZE

- 30
- 35
- 40
- 50
- 90
- 95

VOLTAGE & FREQUENCY

- Three Phase**
- A:** 220-240/380-415V 50Hz
 - C:** 220-240/440-480V 60Hz
 - E:** 525-550V 50Hz
 - F:** 575-600V 60Hz

Single Phase

- U:** 115V 60Hz
- W:** 230V 60Hz

POLES

- 02:** 3000 RPM at 50Hz
3600 RPM at 60Hz
- 04:** 1500 RPM at 50Hz
1800 RPM at 60Hz
- 06:** 1000 RPM at 50Hz
1200 RPM at 60Hz
- 08:** 750 RPM at 50Hz
900 RPM at 60Hz

ACCESSORIES

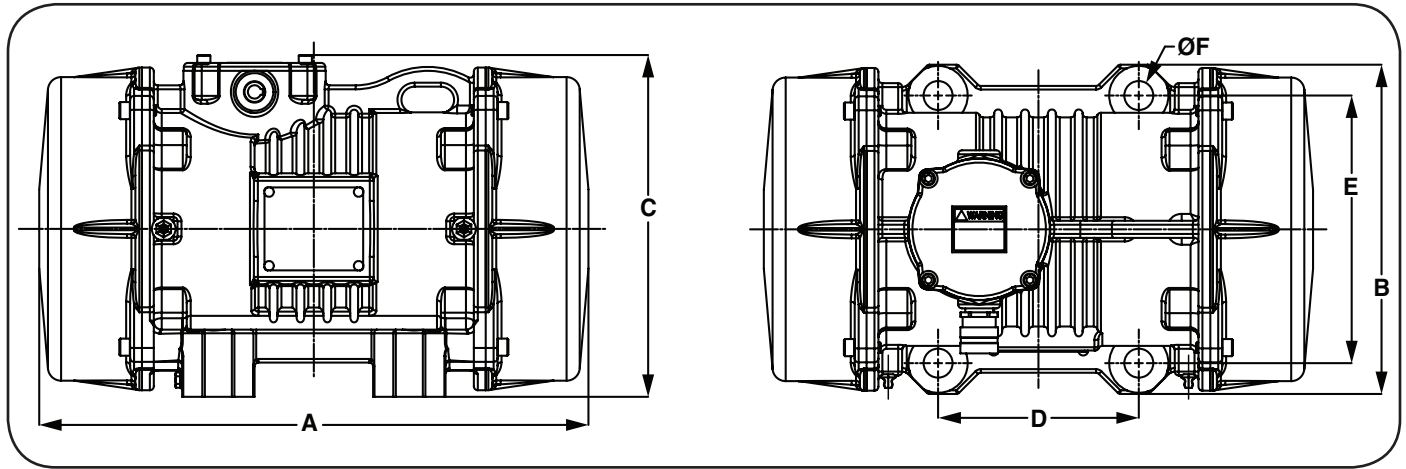
Part Number	Description
32271	Safety Cable Assembly
38902-20	On/Off Cycle Timer

Model	W-Beam Mount Kit*	Mount Plate	Hardware for Mount Plate	BBAC Safety Cable Kit	Wedge Brackets	
					Male	Female
MC 30/35	32401-30	220583-MC	CG-100429**	32271	—	—
MC 40/50	32401-B3	220598-MC	CG-100430**	32271	—	—

*Includes Beam Mount, Hardware, and Safety Accessories

**Included with Vibrator

TECHNICAL DATA SHEET



SINGLE PHASE

DIMENSIONS

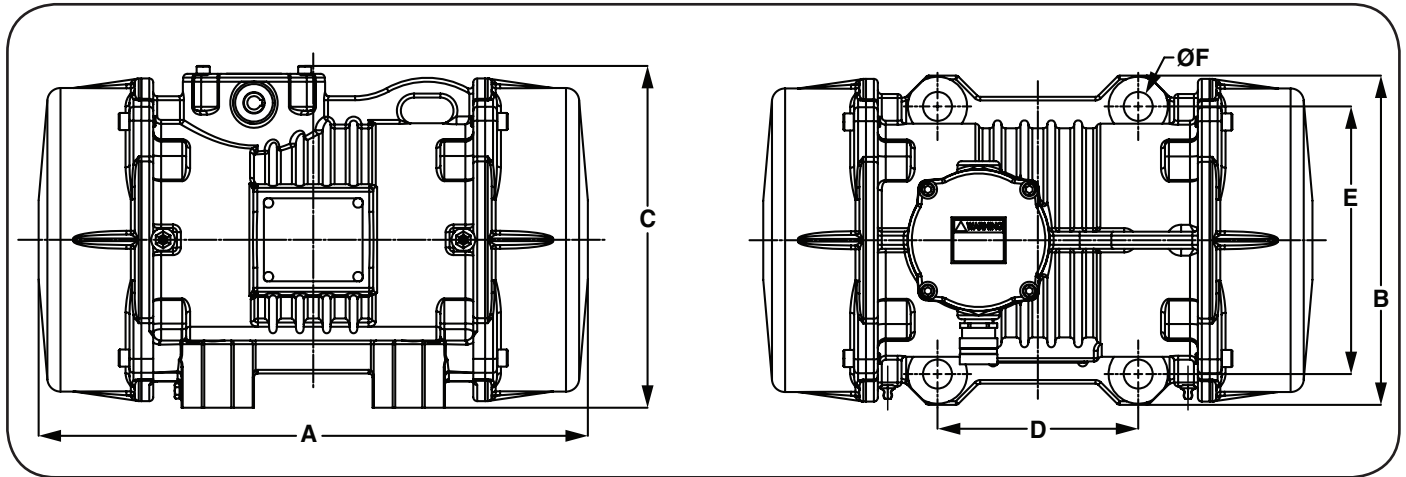
PART NUMBER	MODEL	A		B		C		Bolt Pattern		Foot Holes		Weight				
		in.	(mm)	in.	(mm)	in.	(mm)	D		E		F	No.	lbs	(kg)	
								in.	(mm)	in.	(mm)					
MC30X02	MC36-1680	15.70	(398.9)	8.43	(214)	9.41	(239.0)	5.50	(139.7)	7.00	(177.8)	0.67	(17)	4	65	(29)
MC35X02	MC36-2510	15.70	(398.9)	8.43	(214)	9.41	(239.0)	5.50	(139.7)	7.00	(177.8)	0.67	(17)	4	66	(30)
MC30X04	MC18-1690	15.70	(398.9)	8.43	(214)	9.41	(239.0)	5.50	(139.7)	7.00	(177.8)	0.67	(17)	4	78	(35)
MC35X04	MC18-2150	15.70	(398.9)	8.43	(214)	9.41	(239.0)	5.50	(139.7)	7.00	(177.8)	0.67	(17)	4	80	(37)
MC30X06	MC12-760	15.70	(398.9)	8.43	(214)	9.41	(239.0)	5.50	(139.7)	7.00	(177.8)	0.67	(17)	4	78	(35)

PERFORMANCE DATA

PART NUMBER	MODEL	RPM at 60Hz	Unbalance in-lbs		Centrifugal Force				Power Output				Amps	
			50Hz	60Hz	115V 60Hz		230V 60Hz		115V 60Hz		230V 60Hz		115 Volt	230 Volt
					lbs	(kg)	lbs	(kg)	hp	(kW in)	hp	(kW in)	60Hz	60Hz
MC30X02	MC36-1680	3600	6.8	4.5	1680	(762)	1680	(762)	0.75	(1.38)	0.75	(1.38)	12.00	6.00
MC35X02	MC36-2510	3600	9.8	7.0	2510	(1139)	2510	(1139)	0.75	(1.38)	0.75	(1.38)	12.00	6.00
MC30X04	MC18-1690	1800	25.0	18.0	1690	(767)	1690	(767)	0.75	(1.38)	0.75	(1.38)	12.00	6.00
MC35X04	MC18-2150	1800	33.6	23.4	2150	(975)	2150	(975)	0.75	(1.38)	0.75	(1.38)	12.00	6.00
MC30X06	MC12-760	1200	26.7	15.6	760	(345)	760	(345)	0.25	(0.86)	0.25	(0.86)	7.50	3.80

ACCESSORIES	
MOUNT PLATE	W-BEAM MOUNT KIT
220583-MC	32401-30
220583-MC	32401-30
220583-MC	32401-30
220583-MC	32401-30
220583-MC	32401-30

TECHNICAL DATA SHEET



3 PHASE 2 POLES 3000/3600 RPM

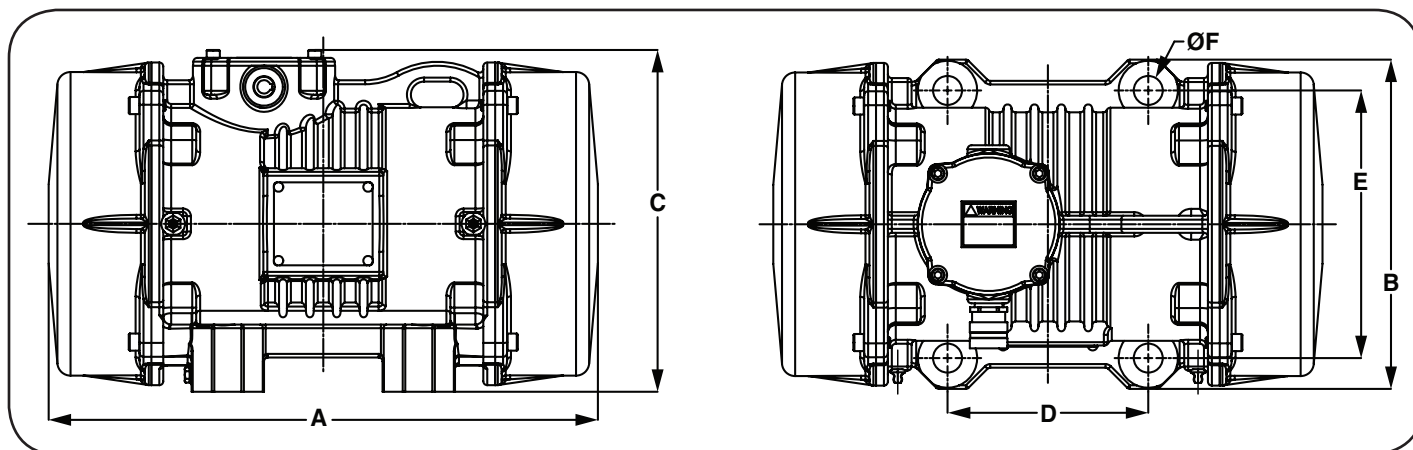
DIMENSIONS

PART NUMBER	MODEL	A		B		C		Bolt Pattern		Foot Holes		Weight				
		in.	(mm)	in.	(mm)	in.	(mm)	D		E		No.	380V 50Hz	460V 60Hz		
								in.	(mm)	in.	(mm)		in.	(mm)	lbs (kg)	lbs (kg)
MC30X02	MC36-1680	15.70	(398.9)	8.43	(214)	9.41	(239.0)	5.50	(139.7)	7.00	(177.8)	0.67	(17)	4	64 (29)	63 (29)
MC35X02	MC36-2510	15.70	(398.9)	8.43	(214)	9.41	(239.0)	5.50	(139.7)	7.00	(177.8)	0.67	(17)	4	66 (30)	64 (29)
MC37X02	MC36-3500	15.70	(398.9)	8.43	(214)	9.41	(239.0)	5.50	(139.7)	7.00	(177.8)	0.67	(17)	4	68 (31)	67 (31)
MC52X02	MC36-4910	16.42	(417.0)	9.84	(250)	10.22	(259.5)	6.00	(152.4)	8.00	(203.2)	0.87	(22)	4	75 (34)	72 (33)

PERFORMANCE DATA

PART NUMBER	Model	Unbalance in-lbs		Centrifugal Force				Power Output		Amps		ACCESSORIES	
		50Hz	60Hz	380V 50Hz		460V 60Hz		hp	(kW in)	380V 50Hz	460V 60Hz	MOUNT PLATE	W-BEAM MOUNT KIT
				lbs	(kg)	lbs	(kg)					220583-MC	32401-30
MC30X02	MC36-1680	6.8	4.5	1680	(762)	1680	(762)	1	(0.80)	1.70	1.40	220583-MC	32401-30
MC35X02	MC36-2510	9.8	7.0	2510	(1139)	2510	(1139)	1	(0.80)	1.70	1.40	220583-MC	32401-30
MC37X02	MC36-3500	14.0	10.1	3500	(1588)	3500	(1588)	1	(0.80)	1.70	1.40	220583-MC	32401-30
MC52X02	MC36-4910	20.0	13.0	4910	(2227)	4910	(2227)	3	(2.50)	5.10	4.20	220598-MC	32401-B3

TECHNICAL DATA SHEET



3 PHASE 4 POLES 1500/1800 RPM

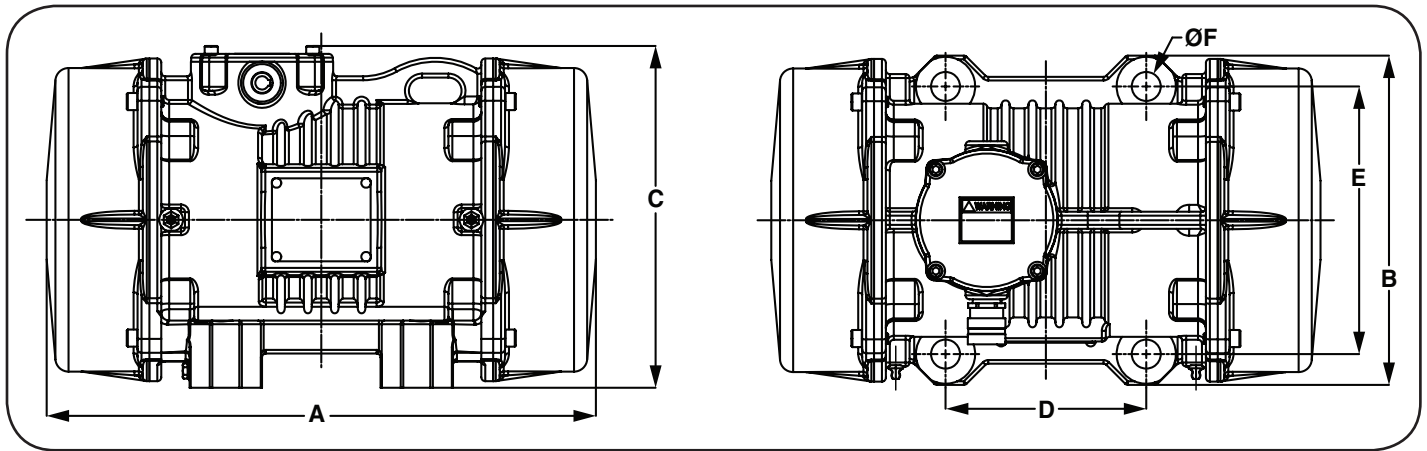
DIMENSIONS

PART NUMBER	MODEL	A		B		C		Bolt Pattern		Foot Holes		Weight						
		in.	(mm)	in.	(mm)	in.	(mm)	D		E		F	No.	380V 50Hz		460V 60Hz		
								in.	(mm)	in.	(mm)			in.	(mm)	lbs	(kg)	lbs
MC30X04	MC18-1690	15.70	(398.9)	8.43	(214)	9.41	(239.0)	5.50	(139.7)	7.00	(177.8)	0.67	(17)	4	76	(35)	73	(33)
MC35X04	MC18-2150	15.70	(398.9)	8.43	(214)	9.41	(239.0)	5.50	(139.7)	7.00	(177.8)	0.67	(17)	4	79	(36)	76	(34)
MC40X04-LF	MC18-2250	16.42	(417.0)	9.84	(250)	10.22	(259.5)	6.00	(152.4)	8.00	(203.2)	0.87	(22)	4	119	(54)	112	(51)
MC40X04	MC18-3190	19.65	(499.0)	9.84	(250)	10.22	(259.5)	6.00	(152.4)	8.00	(203.2)	0.87	(22)	4	131	(59)	125	(57)
MC50X04	MC18-3870	19.65	(499.0)	9.84	(250)	10.22	(259.5)	6.00	(152.4)	8.00	(203.2)	0.87	(22)	4	136	(62)	128	(58)
MC51X04	MC18-4500	19.65	(499.0)	9.84	(250)	10.22	(259.5)	6.00	(152.4)	8.00	(203.2)	0.87	(22)	4	140	(63)	131	(60)
MC52X04	MC18-5500	19.65	(499.0)	9.84	(250)	10.22	(259.5)	6.00	(152.4)	8.00	(203.2)	0.87	(22)	4	-	-	135	(61)
MC90X04	MC18-14500	27.28	(693.0)	15.35	(390)	15.24	(387.0)	9.00	(228.6)	12.00	(304.8)	1.10	(28)	4	520	(236)	495	(224)
MC95X04	MC18-17600	27.28	(693.0)	15.35	(390)	15.24	(387.0)	9.00	(228.6)	12.00	(304.8)	1.10	(28)	4	570	(259)	540	(245)

PERFORMANCE DATA

PART NUMBER	MODEL	Unbalance in-lbs		Centrifugal Force				Power Output				Amps		ACCESSORIES	
		50Hz	60Hz	380V 50Hz		460V 60Hz		380V 50Hz		460V 60Hz		380V 50Hz	460V 60Hz	MOUNT PLATE	W-BEAM MOUNT KIT
				lbs	(kg)	lbs	(kg)	hp	(kW in)	hp	(kW in)				
MC30X04	MC18-1690	25.0	18.0	1690	(767)	1690	(767)	0.75	(0.65)	0.75	(0.65)	1.50	1.20	220583-MC	32401-30
MC35X04	MC18-2150	33.6	23.4	2150	(975)	2150	(975)	0.75	(0.65)	0.75	(0.65)	1.50	1.20	220583-MC	32401-30
MC40X04-LF	MC18-2250	35.2	24.4	2250	(1021)	2250	(1021)	1.50	(1.30)	1.50	(1.30)	2.60	2.10	220598-MC	32401-B3
MC40X04	MC18-3190	49.0	35.0	3190	(1447)	3190	(1447)	1.50	(1.30)	1.50	(1.30)	2.60	2.10	220598-MC	32401-B3
MC50X04	MC18-3870	62.0	42.0	3870	(1755)	3870	(1755)	1.50	(1.30)	1.50	(1.30)	2.60	2.10	220598-MC	32401-B3
MC51X04	MC18-4500	71.0	49.0	4500	(2041)	4500	(2041)	1.50	(1.30)	1.50	(1.30)	2.60	2.10	220598-MC	32401-B3
MC52X04	MC18-5500	-	59.7	-	-	5500	(2495)	-	-	1.50	(1.30)	-	2.10	220598-MC	32401-B3
MC90X04	MC18-14500	229.0	161.0	14500	(6577)	14500	(6577)	6.70	(5.00)	7.00	(5.30)	9.90	8.80	-	-
MC95X04	MC18-17600	285.0	197.0	17600	(7983)	17600	(7983)	7.60	(6.50)	8.90	(7.40)	10.80	10.30	-	-

TECHNICAL DATA SHEET



3 PHASE 6 POLES 1000/1200 RPM

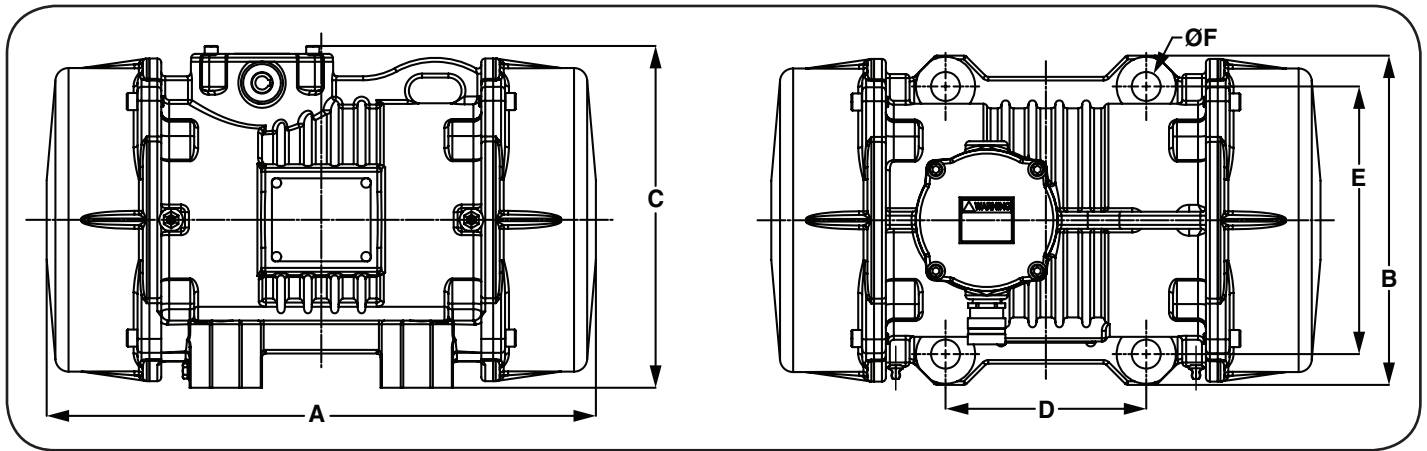
DIMENSIONS

PART NUMBER	MODEL	A	B	C	Bolt Pattern		Bolt Size			Weight			
					D		E		F		No.	380V 50Hz	460V 60Hz
					in.	(mm)	in.	(mm)	in.	(mm)		lbs	(kg)
MC30X06	MC12-760	15.70 (398.9)	8.43 (214)	9.41 (239)	5.50 (139.7)	7.00 (177.8)	0.67 (17)	4	74 (34)	71 (32)			
MC35X06	MC12-1630	17.91 (454.9)	8.43 (214)	9.41 (239)	5.50 (139.7)	7.00 (177.8)	0.67 (17)	4	96 (44)	88 (40)			
MC36X06	MC12-2300	17.91 (454.9)	8.43 (214)	9.41 (239)	5.50 (139.7)	7.00 (177.8)	0.67 (17)	4	97 (44)	97 (44)			
MC50X06	MC12-2530	19.65 (499)	9.84 (250)	10.22 (259.5)	6.00 (152.4)	8.00 (203.2)	0.87 (22)	4	145 (66)	135 (61)			
MC51X06	MC12-3100	19.65 (499)	9.84 (250)	10.22 (259.5)	6.00 (152.4)	8.00 (203.2)	0.87 (22)	4	147 (67)	145 (66)			
MC90X06	MC12-11700	35.28 (896)	15.35 (390)	15.24 (387)	9.00 (228.6)	12.00 (304.8)	1.10 (28)	4	583 (265)	531 (241)			
MC91X06	MC12-14400	35.28 (896)	15.35 (390)	15.24 (387)	9.00 (228.6)	12.00 (304.8)	1.10 (28)	4	626 (284)	564 (256)			
MC95X06	MC12-17600	35.28 (896)	15.35 (390)	15.24 (387)	9.00 (228.6)	12.00 (304.8)	1.10 (28)	4	729 (331)	649 (294)			

PERFORMANCE DATA

PART NUMBER	MODEL	Unbalance in-lbs		Centrifugal Force				Power Output				Amps		ACCESSORIES	
		50Hz	60Hz	380V 50Hz		460V 60Hz		380V 50Hz		460V 60Hz		380V 50Hz	460V 60Hz	MOUNT PLATE	W-BEAM MOUNT KIT
				lbs	(kg)	lbs	(kg)	hp	(kW in)	hp	(kW in)				
MC30X06	MC12-760	26.7	15.6	760	(345)	760	(345)	0.50	(0.45)	0.50	(0.45)	1.60	1.30	220583-MC	32401-30
MC35X06	MC12-1630	57.4	39.8	1630	(739)	1630	(739)	0.50	(0.45)	0.50	(0.45)	1.60	1.30	220583-MC	32401-30
MC36X06	MC12-2300	55.8	56.2	1584	(718)	2300	(1043)	0.50	(0.45)	0.50	(0.45)	1.60	1.30	220583-MC	32401-30
MC50X06	MC12-2530	79.2	61.8	2250	(1021)	2530	(1148)	1.00	(0.90)	1.00	(0.90)	2.10	1.70	220598-MC	32401-B3
MC51X06	MC12-3100	86.2	75.8	2450	(1111)	3100	(1406)	1.00	(0.90)	1.00	(0.90)	2.10	1.70	220598-MC	32401-B3
MC90X06	MC12-11700	407.0	288.0	11700	(5307)	11700	(5307)	4.30	(3.80)	4.70	(4.20)	7.70	7.30	-	-
MC91X06	MC12-14400	512.0	356.0	14400	(6532)	14400	(6532)	4.30	(3.80)	4.70	(4.20)	7.70	7.30	-	-
MC95X06	MC12-17600	629.0	438.0	17600	(7983)	17600	(7983)	7.50	(6.40)	8.50	(7.30)	13.0	12.7	-	-

TECHNICAL DATA SHEET



3 PHASE 8 POLES 750/900 RPM

DIMENSIONS

PART NUMBER	MODEL	A		B		C		Bolt Pattern		Foot Holes		Weight						
		in.	(mm)	in.	(mm)	in.	(mm)	D		E		F	No.	380V 50Hz		460V 60Hz		
								in.	(mm)	in.	(mm)			in.	(mm)	lbs	(kg)	lbs
MC30X08	MC9-590	15.70	(398.9)	8.43	(214)	9.41	(239)	5.50	(139.7)	7.00	(177.8)	0.67	(17)	4	86	(39)	83	(38)
MC35X08	MC9-910	17.91	(454.9)	8.43	(214)	9.41	(239)	5.50	(139.7)	7.00	(177.8)	0.67	(17)	4	98	(45)	91	(41)
MC40X08	MC9-1440	19.65	(499.0)	9.84	(250)	10.22	(259.5)	6.00	(152.4)	8.00	(203.2)	0.87	(22)	4	143	(65)	134	(61)
MC90X08	MC9-9310	35.28	(896.0)	15.35	(390)	15.24	(387)	9.00	(228.6)	12.00	(304.8)	1.10	(28)	4	614	(279)	614	(279)
MC91X08	MC9-11700	35.28	(896.0)	15.35	(390)	15.24	(387)	9.00	(228.6)	12.00	(304.8)	1.10	(28)	4	656	(298)	656	(298)
MC95X08	MC9-14400	35.28	(896.0)	15.35	(390)	15.24	(387)	9.00	(228.6)	12.00	(304.8)	1.10	(28)	4	680	(309)	680	(309)
MC96X08	MC9-15500	35.28	(896.0)	15.35	(390)	15.24	(387)	9.00	(228.6)	12.00	(304.8)	1.10	(28)	4	-	-	695	(315)

PERFORMANCE DATA

PART NUMBER	MODEL	Unbalance in-lbs		Centrifugal Force				Power Output				Amps		ACCESSORIES	
		50Hz	60Hz	380V 50Hz		460V 60Hz		380V 50Hz		460V 60Hz		380V 50Hz	460V 60Hz	MOUNT PLATE	W-BEAM MOUNT KIT
				lbs	(kg)	lbs	(kg)	hp	(kW in)	hp	(kW in)				
MC30X08	MC9-590	26.0	26.0	485	(220)	590	(268)	0.50	(0.45)	0.50	(0.45)	2.00	1.60	220583-MC	32401-30
MC35X08	MC9-910	62.0	41.0	910	(413)	910	(413)	0.50	(0.45)	0.50	(0.45)	2.00	1.60	220583-MC	32401-30
MC40X08	MC9-1440	81.0	64.0	1250	(567)	1440	(653)	0.75	(0.65)	0.75	(0.65)	2.30	1.90	220598-MC	32401-B2
MC90X08	MC9-9310	407.0	407.0	6450	(2926)	9310	(4223)	3.97	(3.60)	4.27	(4.00)	8.30	8.00	-	-
MC91X08	MC9-11700	512.0	512.0	8100	(3674)	11700	(5307)	3.97	(3.60)	4.27	(4.00)	8.30	8.00	-	-
MC95X08	MC9-14400	629.0	629.0	10000	(4536)	14400	(6532)	4.93	(4.50)	5.83	(5.30)	10.50	10.50	-	-
MC96X08	MC9-15500	-	710.0	-	-	15500	(7031)	-	-	5.83	(5.30)	-	10.50	-	-



Martin Engineering USA
 3600 Cougar Drive
 Peru, IL 61354 USA
 855 394 4885
 Fax 800 814 1553
 www.martin-eng.com

**COMPANY WITH
 QUALITY SYSTEM
 CERTIFIED BY DNV
 = ISO 9001:2008 =**

Problem Solved™ GUARANTEED!

Form No. L4143-11/19
 © Martin Engineering Company 2019